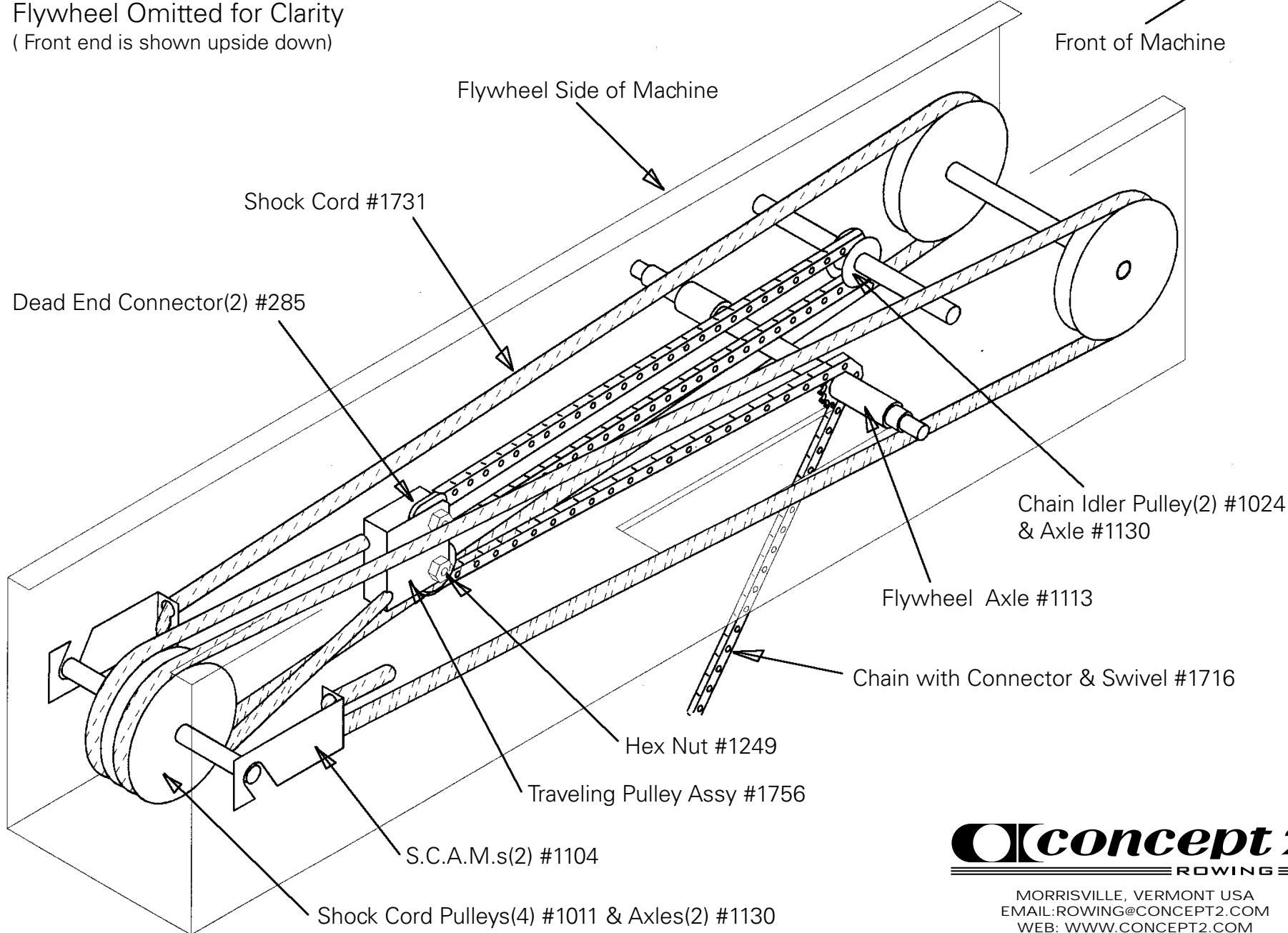


# MODEL C RETURN MECHANISM COMPLETE

Flywheel Omitted for Clarity  
( Front end is shown upside down)



MORRISVILLE, VERMONT USA  
EMAIL: ROWING@CONCEPT2.COM  
WEB: WWW.CONCEPT2.COM